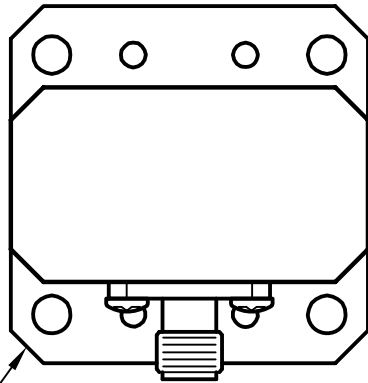
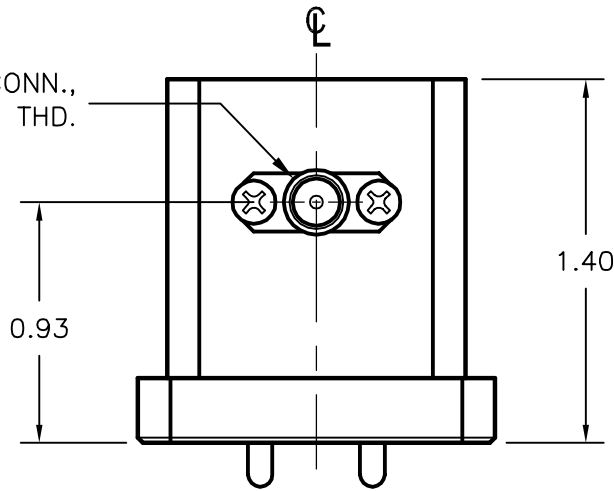


REV A	AUTH RL	DATE MM/DD/03	INITIAL RELEASE
REV B	AUTH RL	DATE 2/11/04	UPDATED DESIGN, DIM: .75 WAS: .82; 1.4 WAS: 1.29; .93
REV C	AUTH JLE	DATE 12/12/02	EXTERIOR MODIFIED FOR COMPATIBILITY WITH '253' HOUSING, FITTED FOR SMA CONN. MOUNTING.
REV D	AUTH RL	DATE 09/19/06	FORMAT UPDATE, DWG REDESIGNATED FOR WEB, SMA CONN. UPDATED

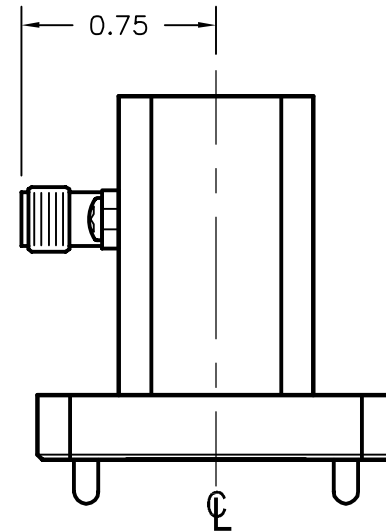


FLANGE PER ORDER, SEE TABLE

SMA-F CONN.,  
1/4-36 UNS-2A THD.



*DOUBLE RIDGE FLANGE TYPES		
DESIGNATION	TYPE	HOLE PATTERN
C1	COVER	ALL THRU/TAPPED
C2		ALL TAPPED
C3		ALL THROUGH
G1	GROOVE	ALL THRU/TAPPED
G2		ALL TAPPED
G3		ALL THROUGH



### PERFORMANCE SPECIFICATIONS

MODEL NUMBER: 750-251-FLANGE TYPE\*  
 WG SIZE: WRD750  
 FREQ: 7.5 - 18.0 GHz  
 MAX. VSWR: 1.25  
 FLANGE TYPE: SEE TABLE  
 FINISH: UNIQUE CORROSION RESISTANT  
 316 STAINLESS STEEL EPOXY

THIRD ANGLE PROJECTION:		APPROVALS	DATE		ADVANCED TECHNICAL MATERIALS, INC.		THE INFORMATION IN THIS DRAWING IS PROPRIETARY AND SHALL NOT BE USED OR DISCLOSED WITHOUT THE PRIOR WRITTEN CONSENT OF ATM, INC. DO NOT SCALE DWGS.
UNLESS OTHERWISE NOTED, DIMENSIONS ARE IN INCHES. TOLERANCES ARE: FRACTIONS: ±1/64 ANGLES: ±1/2°		DRAWN RL	09/18/06		TEL: (631) 289-0363 FAX: (631) 289-0358		
BASIC DIMENSION	DECIMALS 2 PLACE 3 PLACE	CHKD.	APRVD.	OUTLINE, WRD750 SMA - WAVEGUIDE ADAPTER			
UNDER 6"	±.02 ±.005	MATERIAL ALUM.					
6" - 12"	±.03 ±.010	TREATMENT IRIDITE		SIZE A	CAGE CODE 0R8N4	ATM DWG # 5384W	REVISION D
OVER 12"	±.06 ±.015	FINISH SEE NOTES		SCALE NONE	MODEL # 750-251-XX		SHEET 1/1